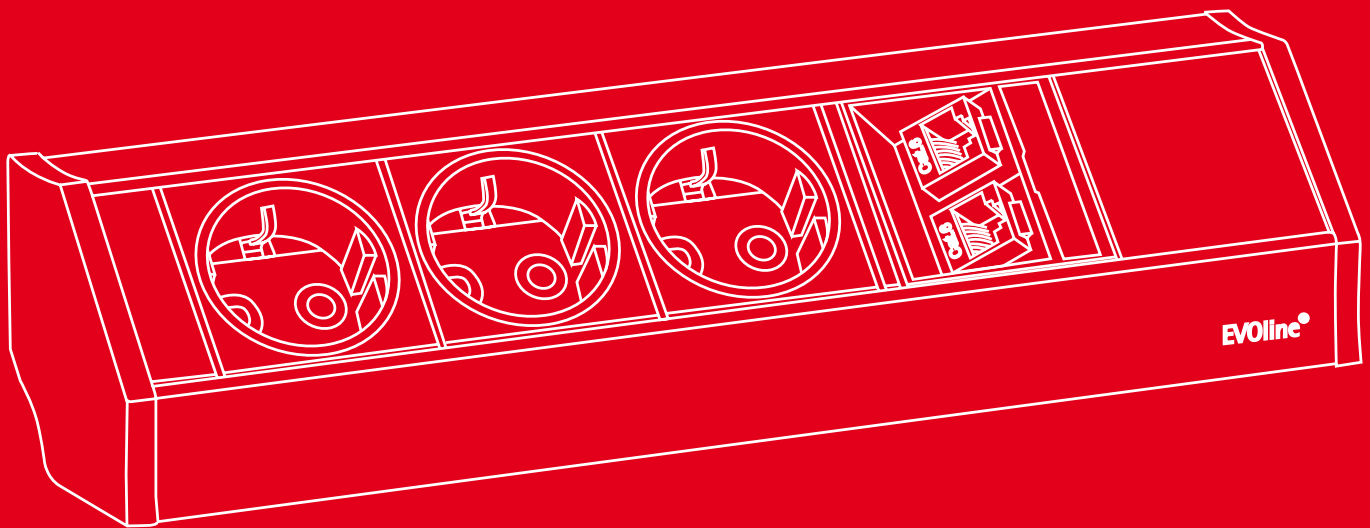


EVOLine®

the e-place design





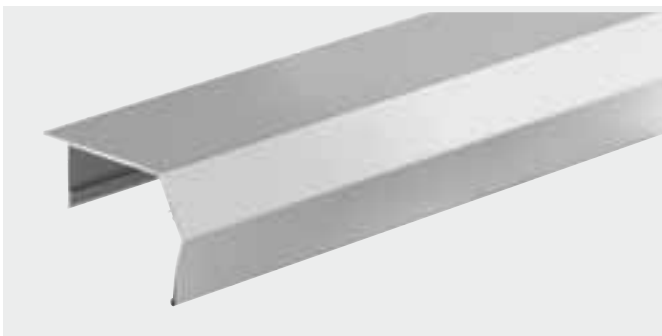
EVOLine® V-Dock



The principle.

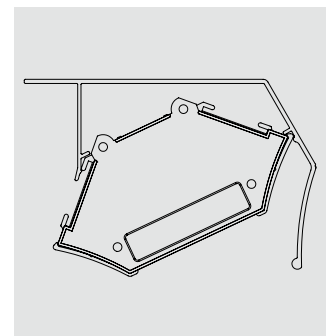
Horizontal or vertical power, data, multimedia and light supply

packaged in an attractive Aluminium profile.

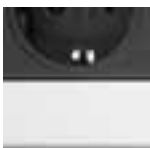


Flat profile bracket
for EnviroLight.
Length to fit profile
V-Dock.
Similar image

Order number:
9331 0600 0000



Surface variations



Silver



ALANOX®

ALANOX® -
Stainless Steel finish.
Aluminium appears in the familiar
gleam of Stainless Steel!
That special something, combined
with a special colouring of the
anodised layer, gives the profiles
that appropriate Stainless Steel
finish and prevents visible
fingerprints.

Technical changes
reserved.

EVoline® V-Dock

The application.

Variable length, suitable to fit into your furniture.

The unusual.

Integrated lighting that sets visual highlights.
See page 146 -147

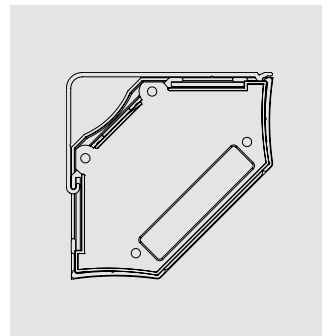


Profile bracket

for V-Dock.

Length : Standard 100 mm or length of the whole profile

Order number:
9331 0610 0000



EVoline® V-Dock Individual

Just choose the modules and the configuration!
With the modular design of EVoline® V-Dock you have the opportunity to customise your model the way you wish.



Socket modules

Page 200 - 219



Data modules

Page 220 - 239



Multimedia modules

Page 240 -255



Pushbutton and switch modules

Page 256 - 261



Protection modules

Page 262 - 265

How to order
Page 136-137

1

**Selection
EVOLine®
V-Dock profiles**
Page 139



Empty profile EVOLine® V-Dock

Order number:
9330 5600 0000

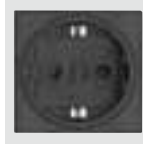


**Flat profile
bracket**

Order number:
9331 0610 0000

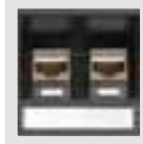
2

**Selection
EVOLine®
modules**
Page 201 - 271



**3 x sockets
VDE**

Order number:
9330 0090 0000



**Data Modules
CAT 6**

Order number:
9330 3920 0000

3

**Selection
EVOLine®
supply cable**
Page 220 - 221



Supply cable

Order number:
9330 9510 0000

All cable lengths are measured from the connection point and mounting position of the modules in the profile.

**Please note for
module selection:**

**the profile number determines
the permissible combination of
modules and profiles.**

EVOLine® Profile type	No.
EVOLine® Dock	1
EVOLine® U-Dock	2
EVOLine® Port	3
EVOLine® Port Lounge	4
EVOLine® Vertical	5
EVOLine® SubDesk	6
EVOLine® Caddy	7
EVOLine® FlipTop	8
EVOLine® V-Dock	9

4

Your
EVOLine®
V-Dock
Individual

5

EVOLine®
Accessories
range
Page 281 - 287



EVOLine®
Cable-
Management
to protect
your cable
distribution
Page 272- 279


Ordering information:

After receiving your order a product drawing will be sent to you, that you release with your signature, thus avoiding wrong orders.

Our general conditions of sale apply for all orders.
www.schulte.com

Subject to technical changes.

The goods are not marked with EAN-codes.
If required, please order separately.

Article	Picture	Specification	Type
<p>EVOLine® V-Dock CUISINE Aluminium housing three sockets, 0°, 16 A, with contact protection Germany, Austria 2) supply cable 2,5 m Plug supplied loose</p>		Silver anodised **	1593 6000 1300
<p>EVOLine® V-Dock DATA SMALL Aluminium housing three sockets, 0°, 16 A, with contact protection Germany, Austria 2) supply cable 3,0 m two modular couplings to accept patch leads RJ 45 to RJ 45, 1:1, CAT6 shielded</p>		Silver anodised **	1593 6000 2300
<p>EVOLine® V-Dock MULTIMEDIA Aluminium housing three sockets, 0°, 16 A, with contact protection Germany, Austria 2) supply cable 3,0 m two modular couplings to accept patch leads RJ 45 to RJ 45, 1:1, CAT6 shielded a 15-pin VGA. Female HDD, one audio-jack 3,5 mm, one USB 2.0 Type A female, each 3.0 m cable with connector plug</p>		Silver anodised **	1593 6000 3300

Mounting with flat profile bracket
see page 135

Mounting sets, foot or
Mounting kits
see page 280-287

** Stock, short-term availability

2) Appropriate socket types for international requirements can be found on page 203

EVOLine® V-Dock Individual

Article

Picture

Specification

Type

Just combine the modules in the basic profile of your choice!

Thanks to the modular design of the EVOLine® V-Dock, you have the opportunity to customize individual models according to your wishes.

„How to order EVOLine®“

See pages 136 -137

Empty profile EVOLine® V-Dock*** Aluminium housing

Mounting with flat profile bracket
see page 134 -135

Mounting sets, foot or
mounting kits
see pages 280-287



Silver anodised

9330 5600 0000

anodised Stainless Steel colour
ALANOX®

9330 8460 0000

Mounting with flat profile bracket
see page 134 -135

Mounting sets, foot or
Mounting kits
see page 280-287

*** available on demand, please ask for delivery times

2) Appropriate socket types for international requirements can be found on page 203

Schulte Elektrotechnik
GmbH & Co. KG

Postfach 2732/2708
D-58477 Lüdenscheid

Jüngerstraße 21
D-58515 Lüdenscheid

Telefon +49 (0) 23 51 / 94 81-0
Telefax +49 (0) 23 51 / 4 26 58
E-mail info@schulte.com

www.schulte.com



www.schulte.com

6040 0510 1000