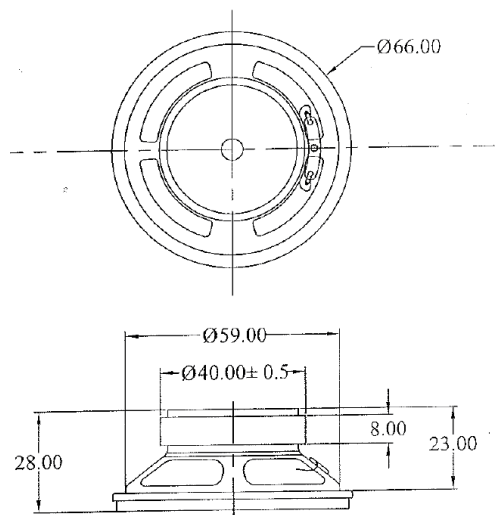


2,5" CEILING LOUDSPEAKERS + IR RECEIVER

REF. 157x6 - 157x7



8 ohms Loudspeakers technical specifications:

157x6	MIN	NORMAL	MAX		COMMENTS
Speaker type		2,5		inches	Full range
Measurements		95x36		mm	
Power		3	5	W	
SPL		86		dB	
Frequency response	170		12000	Hz	
Impedance		8		Ohms	
Cut-out diameter		76		mm	

16 ohms Loudspeakers technical specifications:

157x7	MIN	NORMAL	MAX		COMMENTS
Speaker type		2,5		inches	Full range
Measurements		95x36		mm	
Power		3	5	W	
SPL		86		dB	
Frequency response	170		12000	Hz	
Impedance		16		Ohms	
Cut-out diameter		76		mm	