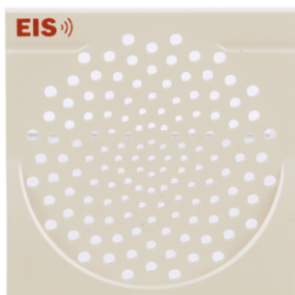
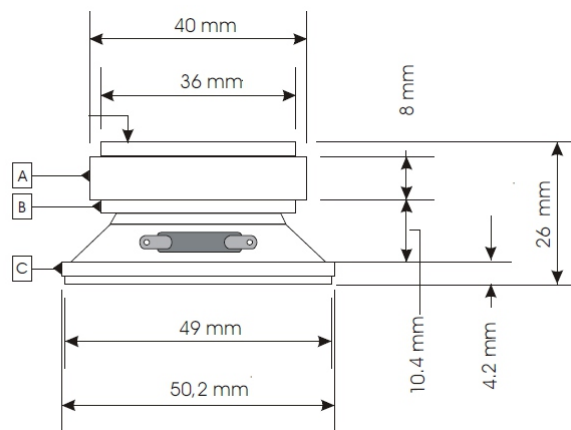


## 2" IN-WALL LOUDSPEAKERS REF. 15393



Ref. 481x2 (400 Series speaker face cover)  
 Ref. 381x1 (100 Series speaker face cover)  
 Ref. 153x3 (90 Series speaker face cover)

16 ohms Loudspeakers technical specifications:

15393	MIN	NORMAL	MAX		COMMENTS
Speaker type		2		inches	Full range
Measurements		45x45x35		mm	
Power		1.5	2	W	
SPL		82		dB	
Frequency response	330		15.000	Hz	
Impedance		16		Ohms	