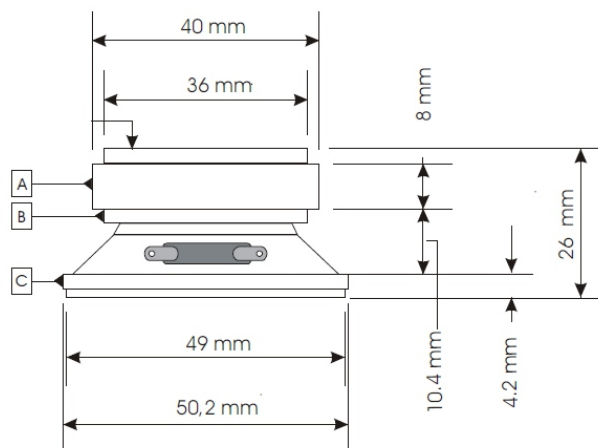
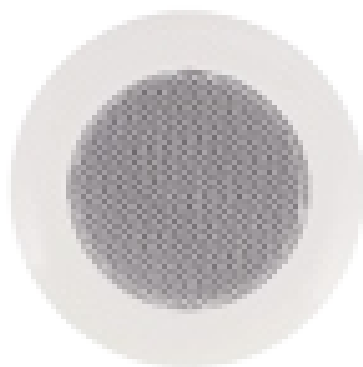


2" CEILING LOUDSPEAKERS REF. 152x6 - 152x7



8 ohms Loudspeakers technical specifications:

152x6	MIN	NORMAL	MAX		COMMENTS
Speaker type		2		inches	Full range
Measurements		80x25		mm	
Power		1.5	2	W	
SPL		82		dB	
Frequency response	330		15.000	Hz	
Impedance		8		Ohms	
Cut-out diameter		65		mm	

16 ohms Loudspeakers technical specifications:

152x7	MIN	NORMAL	MAX		COMMENTS
Speaker type		2		inches	Full range
Measurements		80x25		mm	
Power		1.5	2	W	
SPL		82		dB	
Frequency response	330		15.000	Hz	
Impedance		16		Ohms	
Cut-out diameter		65		mm	