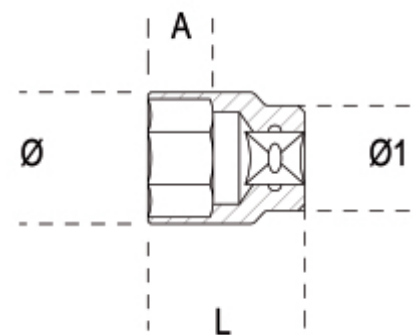




UNI/ISO 2725



art.	mm	Ø mm	L mm	Ø1 mm	A mm	g
009290036	36	49,5	65	48	26,0	519
009290041	41	56,0	70	48	29,0	597
009290046	46	62,0	75	48	32,0	896
009290050	50	67,5	80	48	35,0	1162
009290055	55	74,0	85	54	38,0	1409
009290060	60	80,0	90	54	41,0	1625
009290065	65	86,0	95	54	44,0	1895
009290070	70	92,0	100	60	48,0	2420
009290075	75	99,0	110	60	52,0	2751
009290080	80	106,0	120	60	56,0	3090