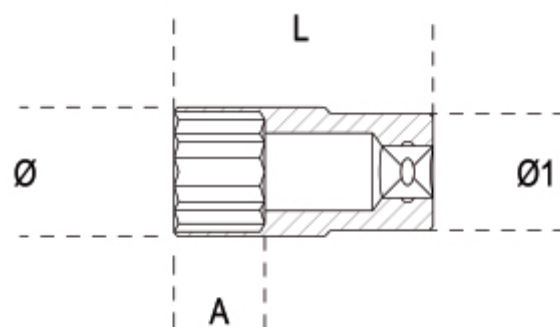


910BL

Nasadki dwunastokątne, długie



UNI/ISO 2725



art.	Ø mm	Ø mm	L mm	Ø1 mm	A mm	g
009100308	8	12,0	55	17	7	50
009100309	9	13,0	55	17	7	47,8
009100310	10	14,5	55	17	9	51
009100311	11	16,0	55	17	10	54,3
009100312	12	17,0	55	17	12	55
009100313	13	18,0	55	17	12	54,8
009100314	14	20,0	55	18	15	66,5
009100315	15	21,0	55	20	15	77
009100316	16	22,0	55	20	15	76
009100317	17	23,5	55	22	15	93
009100318	18	24,5	55	23	18	99,9
009100319	19	25,0	55	24	18	98
009100321	21	27,0	65	26	18	128
009100322	22	29,0	65	28	21	156